

# RBO

**RBO IRON & STEEL INDUSTRIES PRIVATE LIMITED**





## ABOUT OUR COMPANY

At RBO, we embody excellence in the manufacturing of cast iron and ductile iron manhole covers, frames, and gratings, delivering solutions that define durability, precision, and engineering integrity. Headquartered in Kolkata, we serve a diverse clientele across India and international markets with a commitment to uncompromising quality.

Our presence extends across the Middle East and Africa, with a strategic vision to establish a strong footprint in leading global markets including the USA, Canada, UK, Germany, and Australia. Backed by a robust distribution network and industry expertise, we seamlessly cater to infrastructure demands of varying scales and complexities.

Over the years, RBO has evolved into a trusted name synonymous with reliability and performance. Every product we create reflects meticulous craftsmanship, advanced manufacturing standards, and a deep understanding of modern infrastructure requirements.

We do not merely supply products—we deliver confidence, longevity, and value, ensuring our clients receive solutions that stand the test of time.

### Our Vision:

To be recognized globally as a benchmark in premium casting solutions, setting new standards in quality, innovation, and sustainable manufacturing.

### Our Mission:

To deliver world-class casting products through continuous innovation, precision engineering, and an unwavering focus on customer excellence—becoming a preferred partner across global markets.

### Quality & Commitment:

As an ISO 9001:2015 certified organization, quality is embedded into every layer of our operations. From the careful selection of raw materials to rigorous quality control and timely delivery, each stage is executed with precision and accountability.

At RBO, quality is not a promise—it is a principle we uphold in every product we deliver.



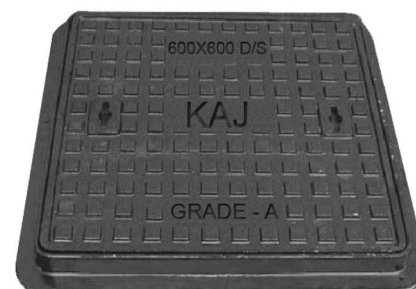
## LOAD TEST CLASSIFICATION FOR BS-497-76 SPECIFICATION

### MANHOLE COVERS

GRADE	TEST LOAD (KN)	SIZE OF TEST BLOCK (MM)	WHEEL LOAD	APPLICATION
A	350	300 DIA	11.50 TONES	For use in Carriageways of continuous heavy fast moving traffic.
B	150	300 DIA	5.00 TONES	For use in Carriageways carrying relatively slow moving normal commercial vehicles
C	10	300 DIA		Areas which are inaccessible to motor vehicles

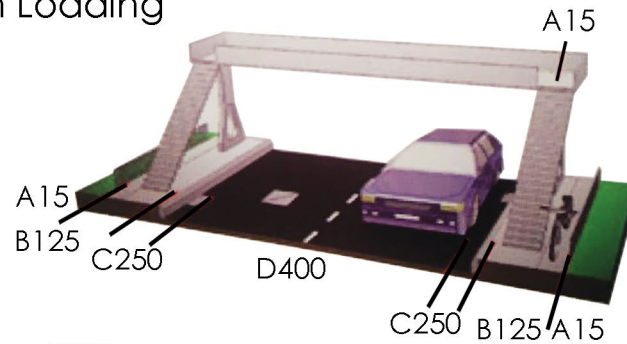
### GULLY GRATINGS & COVERS

GRADE	TEST LOAD (KN)	SIZE OF TEST BLOCK (MM)	WHEEL LOAD	APPLICATION
A	350	300 x 235	11.50 TONES	For use in Carriageways of continuous heavy fast moving traffic.
B	150	300 x 235	5.00 TONES	For use in Carriageways carrying relatively slow moving normal commercial vehicles



## LOAD TEST CLASSIFICATION FOR BS-EN124:1994 SPECIFICATION

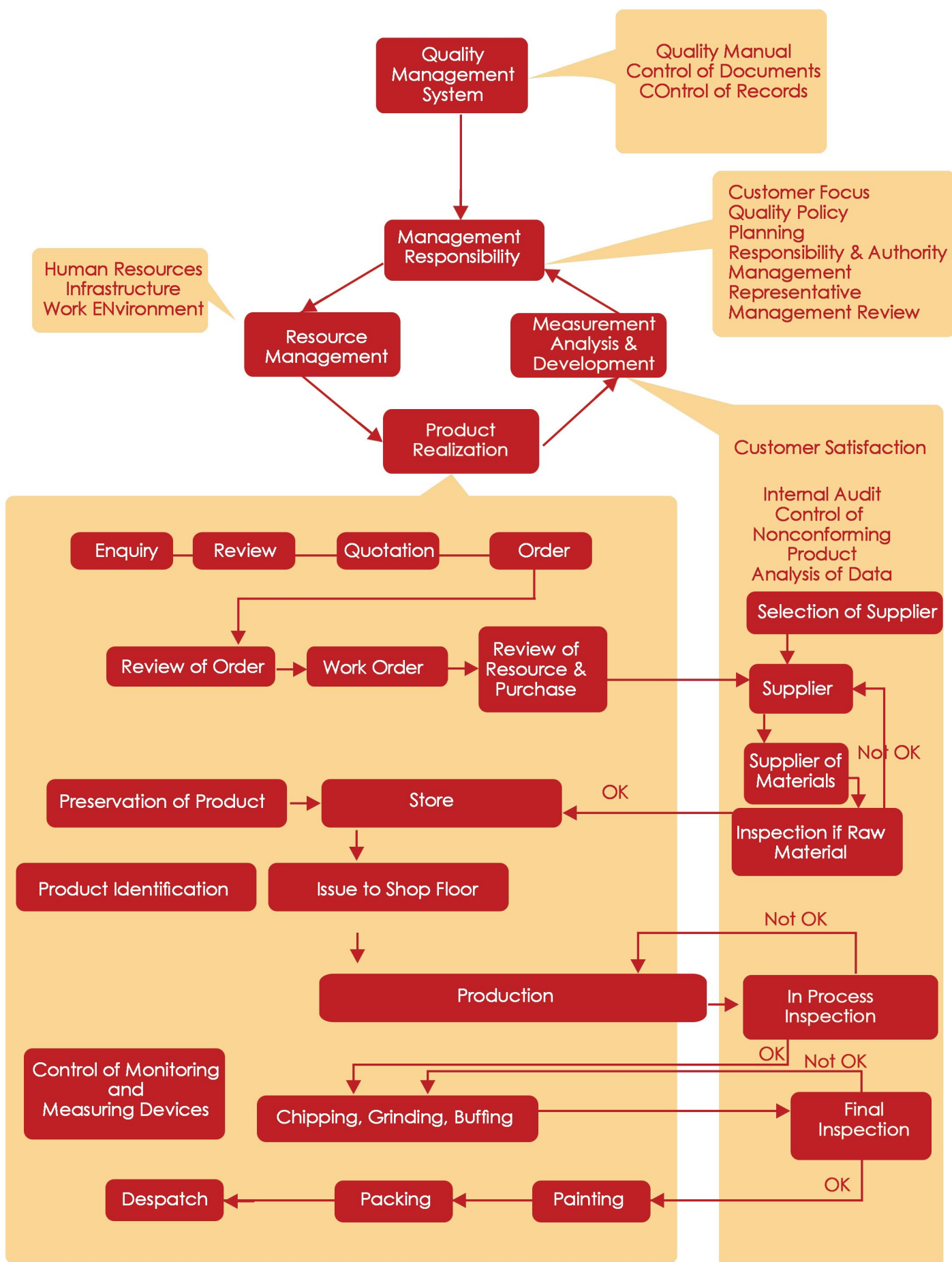
Iron Loading



GROUP	DUTY CLASS	WHEEL LOAD	USES	
1.	A15	15 KN	<b>CLASS A15</b> For use in pedestrian and cycling areas only	
2.	B125	125 KN	<b>CLASS B125</b> For use in in car parks & pedestrian areas where no heavy vehicle have access	
3.	C250	250KN	<b>CLASS C250</b> For areas where slow moving traffic has access such as forecourts, industrial sites & kerbside up to 500mm from kerb & 200mm into the verge/path	
4.	D400	400KN	<b>CLASS D400</b> For areas with fast moving traffic such as high streets, trunk roads, carriageways & hard shoulders	
5.	E600	600KN	<b>CLASS E600</b> For areas were high wheel loads are evident i.e. dockyards etc. also for onerous areas D400 may not be adequate i.e. in wheel track on carriageways etc.	
6.	F900	900KN	<b>CLASS F900</b> For areas with extremely high wheel loads such as dockyards & airport	

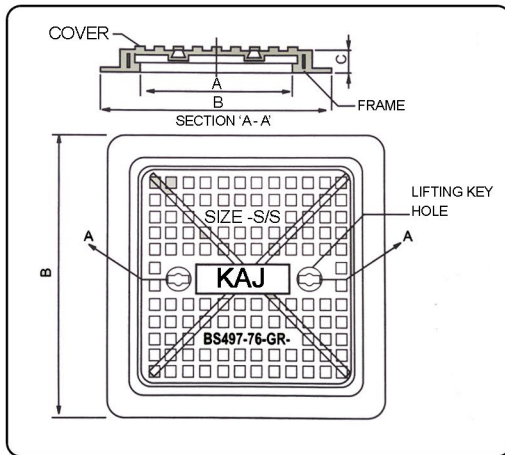
1. Marking – Specification will be Cast as per requirement.
2. Badge – Shall be provide as per Buyer's requirement.
3. Design may vary at the time of supply due to change of pattern / change of design
4. Black Bitumen coated products unless otherwise mentioned
5. Products available in both cast iron & ductile iron

# PROCESS FLOW CHART





## CAST IRON SINGLE SEAL SOLID TOP MANHOLE COVER & FRAME AS PER BS-EN124 OR BS-497-76 SPECIFICATION

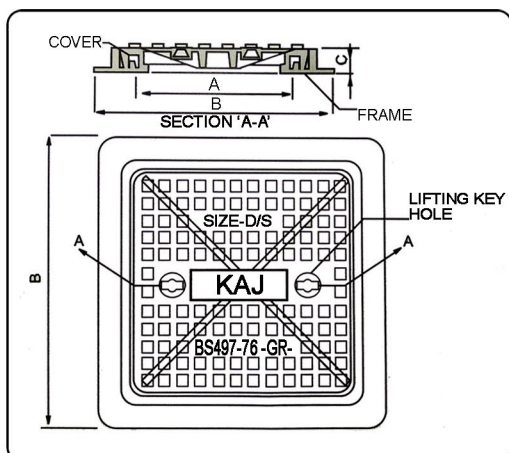


PRODUCT CODE	GRADE AS PER BS-EN124	CLEAR OPENING A (MM)	OVERALL BASE B (MM)	HEIGHT C (MM)	SEAL TYPE	GRADE AS PER BS-497-76	APPX. WEIGHT KG ±5%
RBO -1001	A 15	300 X 300	360 X 360	25	SINGLE SEAL	C	7
RBO -1002	A 15	300 X 300	370 X 370	40	SINGLE SEAL	C	11
RBO -1003	A 15	300 X 300	370 X 370	40	SINGLE SEAL	C	13
RBO -1004	A 15	300 X 300	370 X 370	40	SINGLE SEAL	C	15
RBO -1005	B 125	300 X 300	370 X 370	45	SINGLE SEAL	B	20
RBO -1006	C 250	300 X 300	395 X 395	75	SINGLE SEAL	A	38
RBO -1007	A 15	400 X 400	455 X 455	25	SINGLE SEAL	C	15
RBO -1008	B 125	400 X 400	455 X 455	40	SINGLE SEAL	B	25
RBO -1009	A 15	450 X 450	525 X 525	45	SINGLE SEAL	C	28
RBO -1010	B 125	450 X 450	525 X 525	50	SINGLE SEAL	B	38
RBO -1011	C 250	450 X 450	555 X 555	75	SINGLE SEAL	A	60
RBO -1012	A 15	450 X 600	530 X 680	30	SINGLE SEAL	C	21
RBO -1013	A 15	500 X 500	565 X 565	25	SINGLE SEAL	C	28
RBO -1014	A 15	600 X 600	660 X 660	30	SINGLE SEAL	C	32
RBO -1015	A 15	600 X 600	660 X 660	35	SINGLE SEAL	C	42
RBO -1016	B 125	600 X 600	720 X 720	75	SINGLE SEAL	B	75
RBO -1017	B 125	600 X 600	680 X 680	75	SINGLE SEAL	B	80
RBO -1018	D 400	600 X 600	700 X 700	100	SINGLE SEAL	A	150
RBO -1019	A 15	600 X 750	710 X 865	50	SINGLE SEAL	C	52
RBO -1020	A 15	600 X 900	710 X 1000	50	SINGLE SEAL	C	70
RBO -1021	B 125	600 X 900	710 X 1000	75	SINGLE SEAL	B	95
RBO -1022	D 400	900 X 900	1065 X 1065	100	SINGLE SEAL	A	250

1. Marking – Specification will be Cast as per requirement.
2. Badge – Shall be provide as per Buyer's requirement.
3. Design may vary at the time of supply due to change of pattern / change of design
4. Black Bitumen coated products unless otherwise mentioned
5. Products available in both cast iron & ductile iron

1  
2  
3  
4  
5

# CAST IRON DOUBLE SEAL SOLID TOP MANHOLE COVER & FRAME AS PER BS-EN124 OR BS-497-76 SPECIFICATION



PRODUCT CODE	GRADE AS PER BS-EN124	CLEAR OPENING A (MM)	OVERALL BASE B (MM)	HEIGHT C (MM)	SEAL TYPE	GRADE AS PER BS-497-76	APPX. WEIGHT KG ±5%
RBO-1023	A 15	300 X 300	410 X 410	35	DOUBLE SEAL	C	20
RBO-1024	B 150	300 X 300	410 X 410	40	DOUBLE SEAL	B	28
RBO-1025	C 250	300 X 300	450 X 450	75	DOUBLE SEAL	A	45
RBO-1026	A 15	450 X 450	600 X 600	40	DOUBLE SEAL	C	38
RBO-1027	A 15	450 X 450	600 X 600	50	DOUBLE SEAL	C	45
RBO-1028	B 125	450 X 450	630 X 630	75	DOUBLE SEAL	B	70
RBO-1029	C 250	450 X 450	630 X 630	85	DOUBLE SEAL	A	90
RBO-1030	A 15	450 X 450	630 X 785	40	DOUBLE SEAL	C	45
RBO-1031	A 15	600 X 600	760 X 760	45	DOUBLE SEAL	C	50
RBO-1032	A 15	600 X 600	760 X 760	45	DOUBLE SEAL	C	60
RBO-1033	B 125	600 X 600	760 X 760	50	DOUBLE SEAL	B	75
RBO-1034	B 125	600 X 600	755 X 755	75	DOUBLE SEAL	B	90
RBO-1035	B 125	600 X 600	800 X 800	75	DOUBLE SEAL	B	110
RBO-1036	B 125	600 X 600	800 X 800	75	DOUBLE SEAL	B	120
RBO-1037	C 250	600 X 600	800 X 800	80	DOUBLE SEAL	A	140
RBO-1038	C 250	600 X 600	800 X 800	80	DOUBLE SEAL	A	165
RBO-1039	D 400	600 X 600	840 X 840	100	DOUBLE SEAL	A	210
RBO-1040	A 15	600 X 750	760 X 910	45	DOUBLE SEAL	C	90
RBO-1041	A 15	600 X 900	760 X 1060	45	DOUBLE SEAL	C	130
RBO-1042	A 15	800 X 800	980 X 980	40	DOUBLE SEAL	C	100
RBO-1043	D 400	800 X 800	1000 X 1000	80	DOUBLE SEAL	A	230
RBO-1044	B 125	900 X 900	1100 X 1100	40	DOUBLE SEAL	B	145

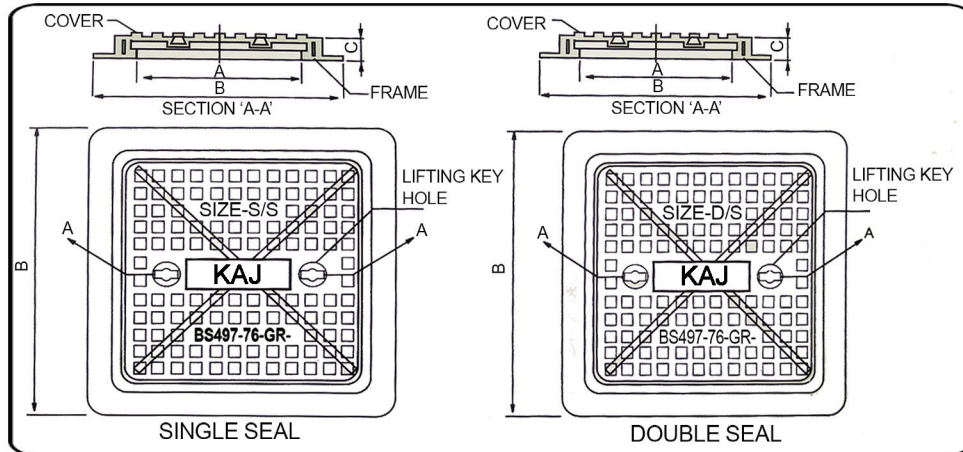
## Special Markings available in English

DRAINAGE	WATER	ELECTRICAL	TELEPHONE
----------	-------	------------	-----------

- . Marking – Specification will be Cast as per requirement.
- . Badge – Shall be provide as per Buyer's requirement.
- . Design may vary at the time of supply due to change of pattern / change of design
- . Black Bitumen coated products unless otherwise mentioned
- . Products available in both cast iron & ductile iron



## DUCTILE IRON SOLID TOP MANHOLE COVER & FRAME AS PER BS-EN124 OR BS-497-76 SPECIFICATION



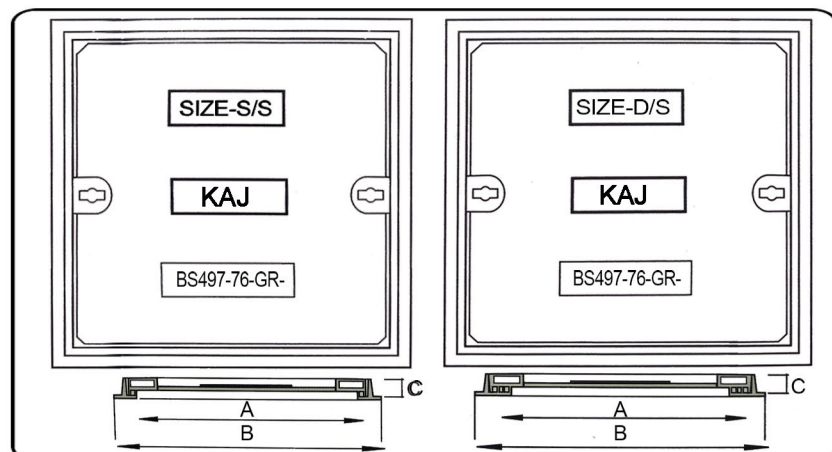
PRODUCT CODE	GRADE AS PER BS-497-76	CLEAR OPENING A (MM)	OVERALL BASE B (MM)	HEIGHT C (MM)	SEAL TYPE	GRADE AS PER BS-EN 124	APPX. WEIGHT KG ±5%
RBO-1045	B	300 X 300	370 X 370	40	SINGLE SEAL	B 125	15
RBO-1046	B	300 X 300	410 X 410	35	DOUBLE SEAL	B 125	20
RBO-1047	B	300 X 300	410 X 410	40	DOUBLE SEAL	B 125	28
RBO-1048	A	300 X 300	395 X 395	75	SINGLE SEAL	D 400	38
RBO-1049	A	300 X 300	450 X 450	75	DOUBLE SEAL	D 400	45
RBO-1050	B	450 X 450	525 X 525	45	SINGLE SEAL	B 125	28
RBO-1051	B	450 X 450	600 X 600	50	DOUBLE SEAL	B 125	45
RBO-1052	A	450 X 450	555 X 555	75	SINGLE SEAL	D 400	60
RBO-1053	A	450 X 450	630 X 630	75	DOUBLE SEAL	D 400	70
RBO-1054	B	600 X 600	660 X 660	30	SINGLE SEAL	B 125	32
RBO-1055	B	600 X 600	660 X 660	35	SINGLE SEAL	B 125	42
RBO-1056	B	600 X 600	760 X 760	45	DOUBLE SEAL	B 125	50
RBO-1057	B	600 X 600	760 X 760	50	DOUBLE SEAL	C 250	75
RBO-1058	A	600 X 600	720 X 720	75	SINGLE SEAL	D 400	75
RBO-1059	A	600 X 600	760 X 760	75	DOUBLE SEAL	D 400	85
RBO-1060	A	600 X 600	700 X 700	100	DOUBLE SEAL	D 400	130
RBO-1061	A	600 X 600	840 X 840	100	DOUBLE SEAL	D 400	190
RBO-1062	B	600 X 750	710 X 865	50	SINGLE SEAL	B 125	60
RBO-1063	B	600 X 750	760 X 910	50	DOUBLE SEAL	B 125	90
RBO-1064	B	600 X 900	710 X 1000	50	SINGLE SEAL	B 125	70
RBO-1065	B	600 X 900	760 X 1060	50	DOUBLE SEAL	B 125	130
RBO-1066	B	800 X 800	980 X 980	40	DOUBLE SEAL	B 125	100

### Special Markings available in English

1. Marking – Specification will be Cast as per requirement.
2. Badge – Shall be provide as per Buyer's requirement.
3. Design may vary at the time of supply due to change of pattern / change of design
4. Black Bitumen coated products unless otherwise mentioned
5. Products available in both cast iron & ductile iron

DRAINAGE	WATER	ELECTRICAL	TELEPHONE
----------	-------	------------	-----------

## RECESSED COVER & FRAME AS PER BS-EN124 OR BS-497-76 SPECIFICATION

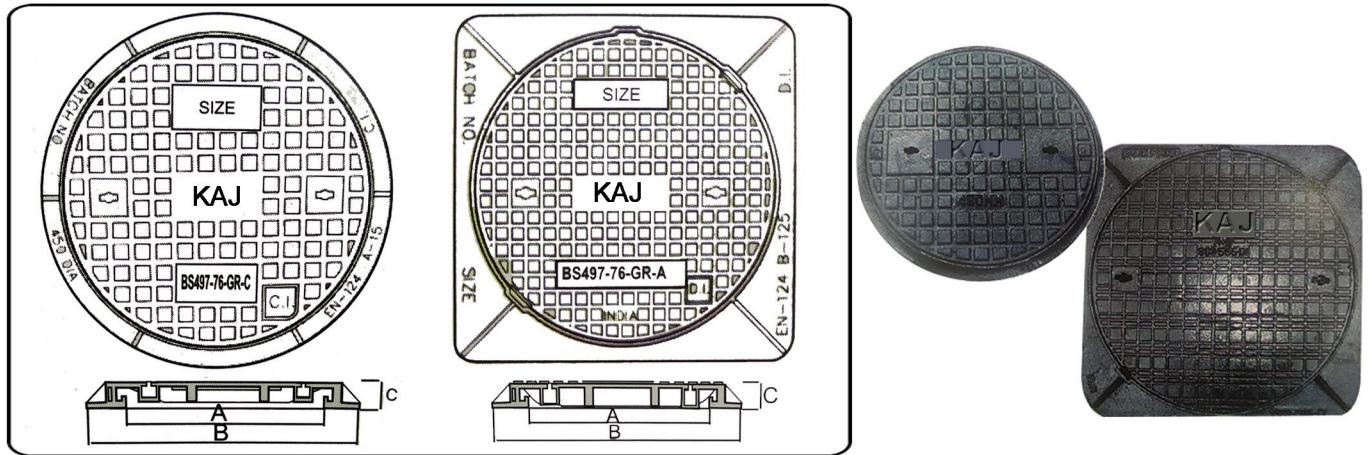


PRODUCT CODE	GRADE AS PER BS-EN124	CLEAR OPENING A (MM)	OVERALL BASE B (MM)	HEIGHT C (MM)	SEAL TYPE	RECESS DEPTH MM	FOR/TYPER	APPX. WEIGHT KG ±5%
RBO-1067	B 125	300 X 300	455 X 455	65	DOUBLE SEAL	40	TILE	30
RBO-1068	B 125	300 X 300	455 X 455	95	DOUBLE SEAL	70	INTER LOCK	36
RBO-1069	D 400	300 X 300	455 X 455	95	DOUBLE SEAL	70	INTER LOCK	50
RBO-1070	B 125	450 X 450	600 X 600	75	DOUBLE SEAL	40	TILE	45
RBO-1071	B 125	450 X 450	610 X 610	90	DOUBLE SEAL	70	INTER LOCK	55
RBO-1072	D 400	450 X 450	610 X 610	90	DOUBLE SEAL	70	INTER LOCK	80
RBO-1073	A 15	600 X 600	690 X 960	65	SINGLE SEAL	40	TILE	50
RBO-1074	B 125	600 X 600	750 X 750	75	DOUBLE SEAL	40	TILE	70
RBO-1075	B 125	600 X 600	760 X 760	90	DOUBLE SEAL	70	INTER LOCK	75
RBO-1076	B 125	600 X 600	765 X 765	90	DOUBLE SEAL	70	INTER LOCK	90
RBO-1077	D 400	600 X 600	825 X 825	100	DOUBLE SEAL	80	INTER LOCK	110
RBO-1078	D 400	600 X 600	825 X 825	100	DOUBLE SEAL	80	INTER LOCK	140

1. Marking – Specification will be Cast as per requirement.
2. Badge – Shall be provide as per Buyer's requirement.
3. Design may vary at the time of supply due to change of pattern / change of design
4. Black Bitumen coated products unless otherwise mentioned
5. Products available in both cast iron & ductile iron



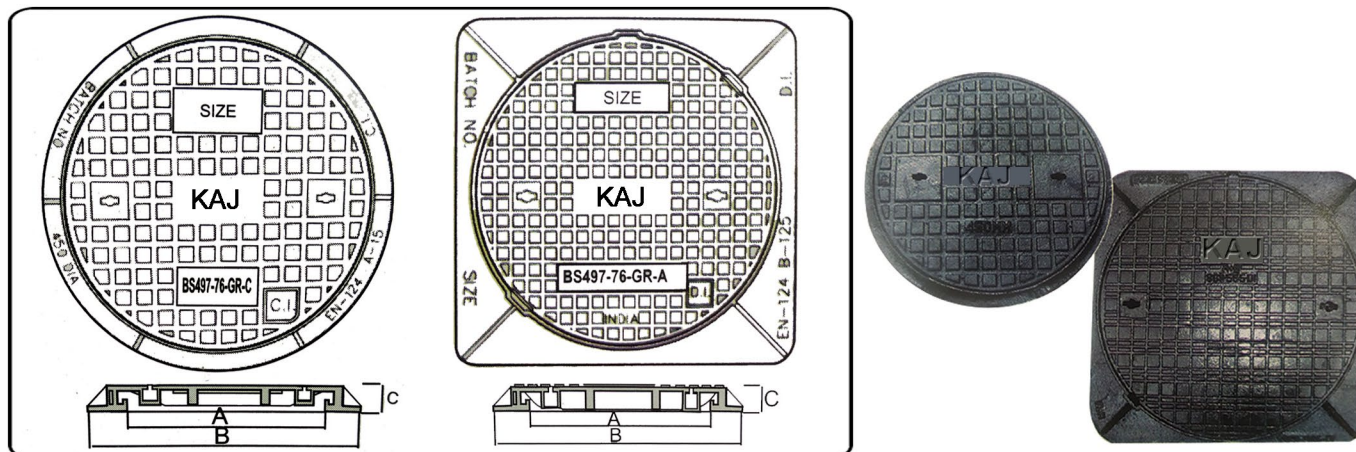
## CAST IRON CIRCULAR MANHOLE COVER WITH CIRCULAR OR FRAME AS PER BS-EN124 OR BS-497-76 SPECIFICATION



PRODUCT CODE	GRADE AS PER BS-EN124	CLEAR OPENING A (MM)	OVERALL BASE B (MM)	HEIGHT C (MM)	SEAL TYPE	GRADE AS PER BS-497-76	APPX. WEIGHT KG ±5%
RBO-1079	A 15	450 DIA	555 DIA	55	SINGLE SEAL	C	16
RBO-1080	A 15	450 DIA	665 DIA	80	DOUBLE SEAL	C	35
RBO-1081	B 125	550 DIA	670 DIA	85	SINGLE SEAL	B	45
RBO-1082	A 15	600 DIA	960 DIA	35	SINGLE SEAL	C	32
RBO-1083	A 15	600 DIA	715 DIA	75	SINGLE SEAL	C	50
RBO-1084	B 125	600 DIA	755 DIA	75	SINGLE SEAL	B	90
RBO-1085	C 250	600 DIA	815 DIA	100	SINGLE SEAL	B	90
RBO-1086	D 400	600 DIA	755 DIA	100	SINGLE SEAL	A	150
RBO-1087	D 400	600 DIA	875 DIA	150	SINGLE SEAL	A	165
RBO-1088	D 400	600 DIA	875 DIA	200	SINGLE SEAL	A	210
RBO-1089	B 125	665 DIA	755 DIA	50	SINGLE SEAL	B	80
RBO-1090	D 400	600 DIA	750 X 750 SQUARE FRAME	100	SINGLE SEAL	A	110
RBO-1091	D 400	600 DIA	690 X 690 SQUARE FRAME	125	SINGLE SEAL	A	130

1. Marking – Specification will be Cast as per requirement.
2. Badge – Shall be provide as per Buyer's requirement.
3. Design may vary at the time of supply due to change of pattern / change of design
4. Black Bitumen coated products unless otherwise mentioned
5. Products available in both cast iron & ductile iron

## DUCTILE IRON CIRCULAR MANHOLE COVER WITH CIRCULAR OR SQUARE FRAME AS PER BS-EN124 OR BS-497-76 SPECIFICATION

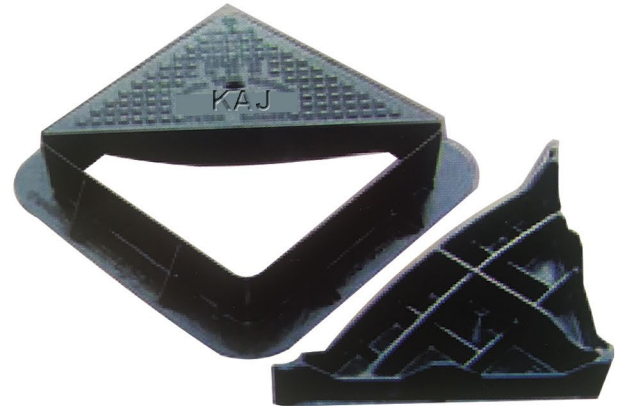
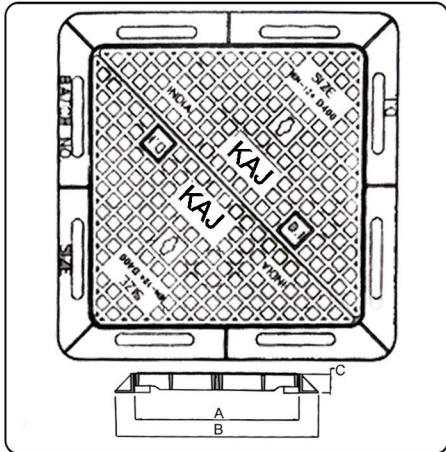


PRODUCT CODE	GRADE AS PER BS-497-76	CLEAR OPENING A (MM)	OVERALL BASE B (MM)	HEIGHT C (MM)	GRADE AS PER BS-EN124	APPX. WEIGHT KG $\pm 5\%$
RBO-1092	B	550 DIA	670 DIA	85	B 125	45
RBO-1093	B	600 DIA	715 DIA	75	B 125	50
RBO-1094	A	600 DIA	755 DIA	75	C 250	90
RBO-1095	A	600 DIA	815 DIA	100	D 400	90
RBO-1096	B	600 DIA	755 DIA	100	D 400	150
RBO-1097	B	600 DIA	875 DIA	150	D 400	165
RBO-1098	A	600 DIA	875 DIA	200	D 400	210
RBO-1099	B	665 DIA	755 DIA	50	C 250	80
RBO-1100	A	600 DIA	750 X 750 SQUARE FRAME	100	D 400	110
RBO-1101	A	600 DIA	690 X 690 SQUARE FRAME	125	D 400	130

1. Marking – Specification will be Cast as per requirement.
2. Badge – Shall be provide as per Buyer's requirement.
3. Design may vary at the time of supply due to change of pattern / change of design
4. Black Bitumen coated products unless otherwise mentioned
5. Products available in both cast iron & ductile iron



## CAST IRON DOUBLE TRIANGULAR MANHOLE COVER & FRAME AS PER BS-EN124 OR BS-497-76 SPECIFICATION



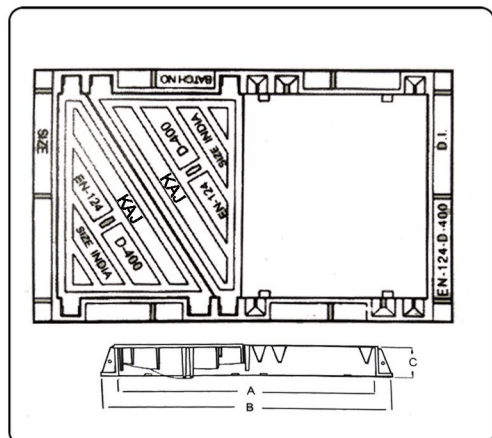
PRODUCT CODE	GRADE AS PER BS-497-76	CLEAR OPENING A (MM)	OVERALL BASE B (MM)	HEIGHT C (MM)	GRADE AS PER BS-EN124	APPX. WEIGHT KG ±5%
RBO-1102	A	600 X 600	760 X 760	100	D 400	130
RBO-1103	A	600 X 600	760 X 760	150	D 400	200
RBO-1104	A	675 X 675	835 X 835	100	D 400	180
RBO-1105	A	675 X 675	834 X 835	150	D 400	230
RBO-1106	A	900 X 900	1060 X 1060	150	D 400	390

## DUCTILE IRON DOUBLE TRIANGULAR MANHOLE COVER & FRAME AS PER BS-EN124 OR BS-497-76 SPECIFICATION

PRODUCT CODE	GRADE AS PER BS-497-76	CLEAR OPENING A (MM)	OVERALL BASE B (MM)	HEIGHT C (MM)	GRADE AS PER BS-EN124	APPX. WEIGHT KG ±5%
RBO-1107	A	600 X 600	750 X 750	100	D 400	98
RBO-1108	A	600 X 600	760 X 760	100	D 400	130
RBO-1109	A	600 X 600	760 X 760	150	D 400	200
RBO-1110	A	675 X 675	835 X 835	100	D 400	125
RBO-1111	A	675 X 675	835 X 835	150	D 400	215
RBO-1112	A	900 X 900	1060 X 1060	150	D 400	250

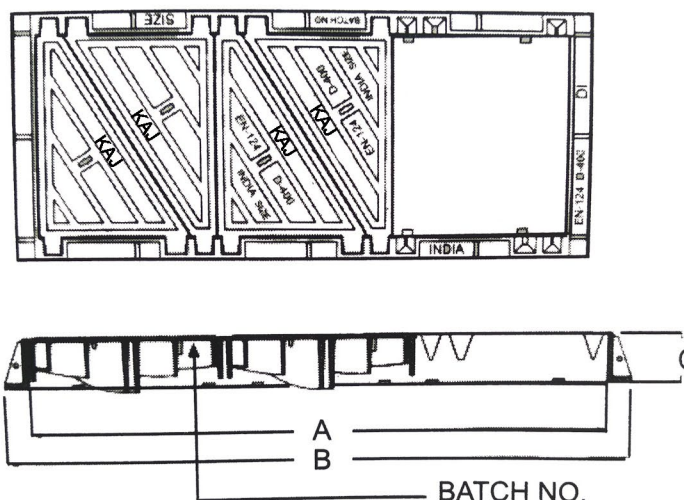
1. Marking – Specification will be Cast as per requirement.
2. Badge – Shall be provide as per Buyer's requirement.
3. Design may vary at the time of supply due to change of pattern / change of design
4. Black Bitumen coated products unless otherwise mentioned
5. Products available in both cast iron & ductile iron

## CAST IRON MULTIPLE TRIANGULAR MANHOLE COVER & FRAME AS PER BS-EN124 OR BS-497-76 SPECIFICATION



PRODUCT CODE	GRADE AS PER BS-497-76	CLEAR OPENING A (MM)	OVERALL BASE B (MM)	HEIGHT C (MM)	GRADE AS PER BS-EN124	APPX. WEIGHT KG $\pm 5\%$
RBO-1113	A	1220 X 675	1380 X 835	150	D 400	430
RBO-1114	A	1224 X 700	1373 X 850	150	D 400	430

## DUCTILE IRON MULTIPLE TRIANGULAR MANHOLE COVER & FRAME AS PER BS-EN124 OR BS-497-76 SPECIFICATION

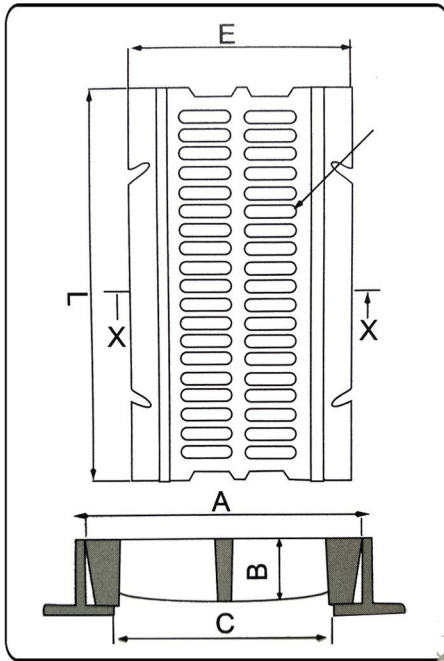


PRODUCT CODE	GRADE AS PER BS-497-76	CLEAR OPENING A (MM)	OVERALL BASE B (MM)	HEIGHT C (MM)	GRADE AS PER BS-EN124	APPX. WEIGHT KG $\pm 5\%$
RBO-1115	A	1220 X 675	1380 X 835	150	D 400	260
RBO-1116	A	1224 X 700	1373 X 850	150	D 400	270
RBO-1117	A	1835 X 700	1984 X 850	150	D 400	385

1. Marking – Specification will be Cast as per requirement.
2. Badge – Shall be provide as per Buyer's requirement.
3. Design may vary at the time of supply due to change of pattern / change of design
4. Black Bitumen coated products unless otherwise mentioned
5. Products available in both cast iron & ductile iron



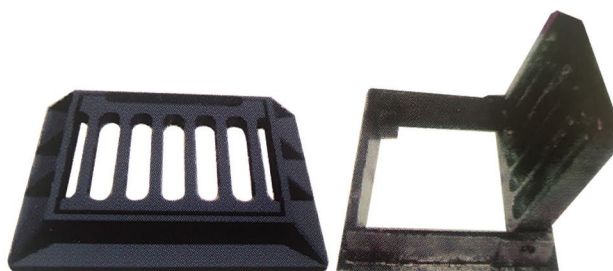
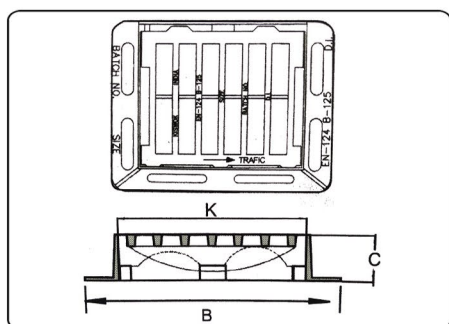
## CHANNEL GRATINGS AS PER BS-EN124 OR BS-497-76 SPECIFICATION



PRODUCT CODE	GRADE AS PER BS-497-76	WIDTH OF GRATING A (MM)	LENGTH OF GRATING L (MM)	CLEAR OPENING C (MM)	OVERALL THICKNESS GRATING B (MM)	OVERALL FRAME WITH E (MM)	DEPTH OF FRAME D (MM)	GRADE AS PER BS-EN124	APPX. WEIGHT KG ±5%
RBO-1118	A	150	750	110	55	260	75	D 400	38
RBO-1119	A	170	750	130	55	280	75	D 400	42
RBO-1120	A	225	750	185	55	335	75	D 400	50
RBO-1121	A	300	750	260	55	410	75	D 400	56
RBO-1122	A	350	750	310	55	460	75	D 400	62
RBO-1123	A	400	750	360	55	510	75	D 400	68
RBO-1124	A	450	750	410	55	560	75	D 400	75

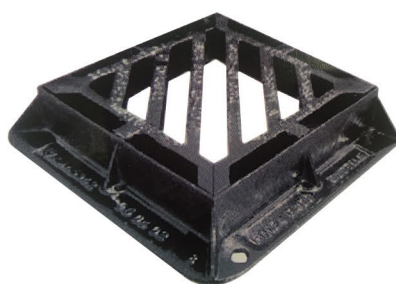
1. Marking – Specification will be Cast as per requirement.
2. Badge – Shall be provide as per Buyer's requirement.
3. Design may vary at the time of supply due to change of pattern / change of design
4. Black Bitumen coated products unless otherwise mentioned
5. Products available in both cast iron & ductile iron

## GRATING & FRAME, FLAT OR DISHED AND / OR HINGED AS PER BS-EN124 OR BS-497-76 SPECIFICATION



PRODUCT CODE	GRADE AS PER BS-EN124	OVER GRATING K (MM)	OVERALL BASE B (MM)	HEIGHT C (MM)	GRADE AS PER BS-497-76	APPX. WEIGHT KG ±5%
RBO-1125	B 125	225 X 225	280 X 270	60	B	15
RBO-1126	B 125	225 X 225	280 X 280	60	B	15
RBO-1127	B 125	300 X 300	355 X 340	60	B	21
RBO-1128	B 125	300 X 300	355 X 355	60	B	21
RBO-1129	D 400	400 X 310	550 X 400	100	A	60
RBO-1130	D 400	400 X 350	575 X 425	100	A	60
RBO-1131	D 400	400 X 400	480 X 480	40	A	48
RBO-1132	D 400	500 X 350	655 X 425	100	A	70
RBO-1133	D 400	450 X 450	530 X 530	40	A	50
RBO-1134	D 400	600 X 600	730 X 730	75	A	80
RBO-1135	D 400	600 X 600	750 X 750	100	A	130
RBO-1136	D 400	700 X 375	870 X 500	60	A	60

## GRATING & FRAME, FLAT OR DISHED AND / OR HINGED AS PER BS-EN124 OR BS-497-76 SPECIFICATION

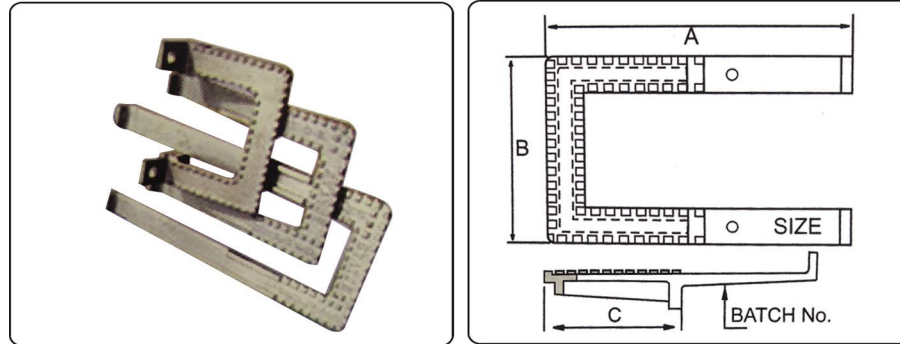


PRODUCT CODE	GRADE AS PER BS-497-76	OVER GRATING K (MM)	OVERALL BASE B (MM)	HEIGHT C (MM)	GRADE AS PER BS-EN124	APPX. WEIGHT KG ±5%
RBO-1137	A	445 X 400	540 X 545	150	D 400	90
RBO-1138	A	480 X 480	570 X 620	150	D 400	115
RBO-1139	A	600 X 600	750 X 750	150	D 400	130

1. Marking – Specification will be Cast as per requirement.
2. Badge – Shall be provide as per Buyer's requirement.
3. Design may vary at the time of supply due to change of pattern / change of design
4. Black Bitumen coated products unless otherwise mentioned
5. Products available in both cast iron & ductile iron

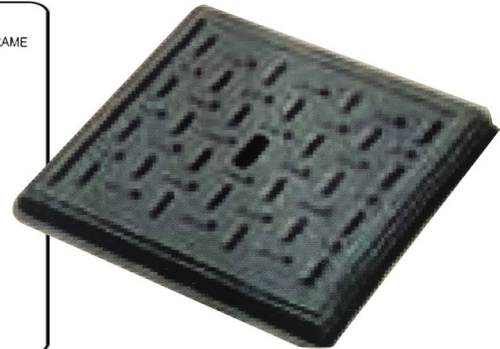
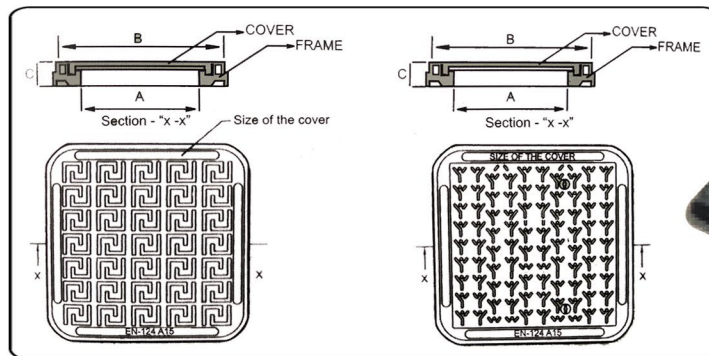


## MANHOLE STEP IRON AS PER BS-1247 SPECIFICATION (GALVANIZED OR UN GALVANIZED) GALVANIZING AS PER BS-729



PRODUCT CODE	LENGTH A (MM)	WIDTH B (MM)	TREAD LENGTH C (MM)	APPX. WEIGHT KG $\pm 5\%$
RBO-1118	A	150	750	110
RBO-1119	A	170	750	130
RBO-1120	A	225	750	185
RBO-1121	A	300	750	260
RBO-1122	A	350	750	310
RBO-1123	A	400	750	360
RBO-1124	A	450	750	410

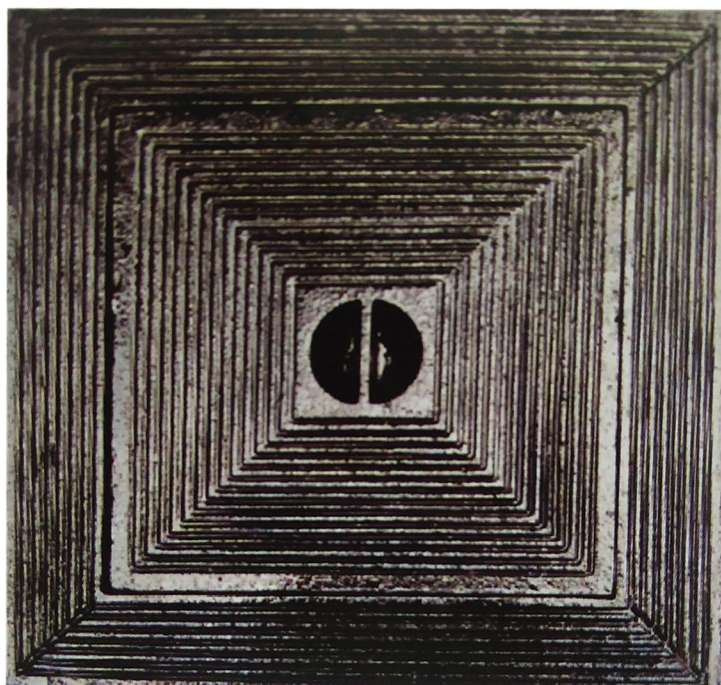
## CAST IRON LIGHT DUTY MANHOLE COVER & FRAME AS PER ROMANIAN SPECIFICATIONS MARKING AS PER BS-497-76 GRADE C OR EN124-A15



PRODUCT CODE	GRADE AS PER BS-497-76	OVERALL BASE B (MM)	CLEAR OPENING A (MM)	HEIGHT C (MM)	GRADE AS PER BS-EN124	APPX. WEIGHT KG $\pm 5\%$
RBO-1143	C	250 X 250	165 X 165	25	A 15	5
RBO-1144	C	300 X 300	190 X 190	25	A 15	7
RBO-1145	C	400 X 400	290 X 290	30	A 15	13
RBO-1146	C	500 X 500	390 X 390	35	A 15	21
RBO-1147	C	600 X 600	490 X 490	40	A 15	30
RBO-1148	C	700 X 700	590 X 590	50	A 15	40

1. Marking – Specification will be Cast as per requirement.
2. Badge – Shall be provide as per Buyer's requirement.
3. Design may vary at the time of supply due to change of pattern / change of design
4. Black Bitumen coated products unless otherwise mentioned
5. Products available in both cast iron & ductile iron

## CAST IRON A15 SINGLE COVERS DIMENSIIONS

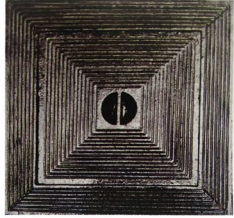
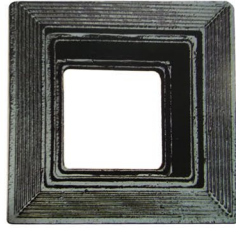


PRODUCT CODE	OVERALL BASE (MM)	CLEAR OPENING (MM)	HEIGHT (MM)	APPX. WEIGHT KG $\pm 5\%$
RBO-1149	300X300MM	170X170MM	20MM	4
RBO-1150	400X400MM	270X270MM	20MM	6.5
RBO-1151	500X500MM	370X370MM	20MM	11
RBO-1152	600X600MM	470X470MM	20MM	16
RBO-1153	700X700MM	570X570MM	20MM	27
RBO-1154	800X800MM	670X670MM	20MM	35

1. Marking – Specification will be Cast as per requirement.
2. Badge – Shall be provide as per Buyer's requirement.
3. Design may vary at the time of supply due to change of pattern / change of design
4. Black Bitumen coated products unless otherwise mentioned
5. Products available in both cast iron & ductile iron



## CAST IRON A15 DOUBLE COVERS DIMENSIIONS



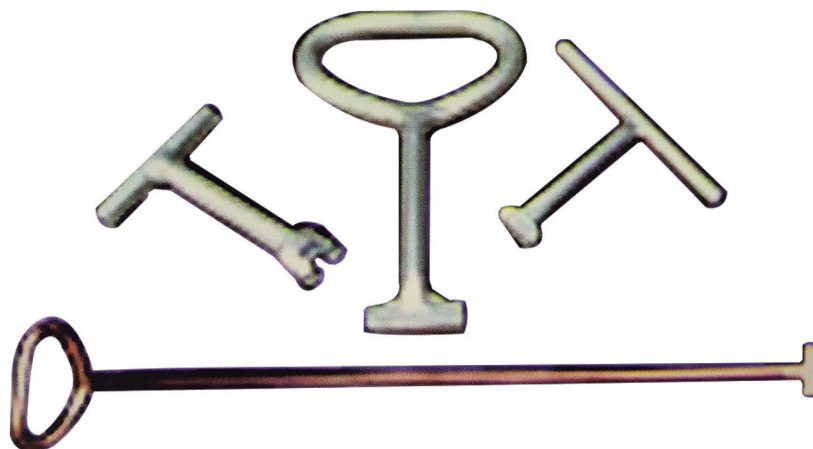
PRODUCT CODE	OVERALL BASE (MM)	CLEAR OPENING (MM)	HEIGHT (MM)	APPX. WEIGHT KG ±5%
RBO-1155	300X300MM	150X150MM	60MM	6
RBO-1156	400X400MM	240X240MM	60MM	11
RBO-1157	500X500MM	335X335MM	60MM	18
RBO-1158	600X600MM	440X440MM	65MM	28
RBO-1159	700X700MM	540X540MM	70MM	45
RBO-1160	800X800MM	640X640MM	80MM	65
RBO-1161	500X300MM	340X140MM	55MM	11

## DUCTILE IRON MANHOLE COVER & FRAME AS PER BS:EN 124 B125 SPECIFICATION FOR THE EUROPEAN MARKET

PRODUCT CODE	OVERALL BASE (MM)	CLEAR OPENING (MM)	HEIGHT (MM)	APPX. WEIGHT KG ±5%
RBO-1161	300X300MM	223X223MM	31MM	9
RBO-1162	400X400MM	327X327MM	31MM	14
RBO-1163	500X500MM	395X395MM	50MM	24.8
RBO-1164	600X600MM	497X497MM	50MM	33.10
RBO-1165	700X700MM	600X600MM	50MM	48
RBO-1166	800X800MM	697X697MM	50MM	59



## STEEL LIFTING KEYS NICKEL PLATED DIFFERENT SHAPES AND SIZES AVAILABLE



1. Marking – Specification will be Cast as per requirement.
2. Badge – Shall be provide as per Buyer's requirement.
3. Design may vary at the time of supply due to change of pattern / change of design
4. Black Bitumen coated products unless otherwise mentioned
5. Products available in both cast iron & ductile iron

# OUR PRODUCTS





# RBO

## **RBO IRON & STEEL INDUSTRIES PRIVATE LIMITED**

Office 21 Brojonath Lahiri Lane, Santragachi, Howrah-711104

Manufacturing Unit : Vill-Dhaipur, PO-Khoriop, AMTA,

PS- Joypur, Howrah-711401

Email: [rboironsteel@gmail.com](mailto:rboironsteel@gmail.com)

Web: [www.rboironandsteel.co.in](http://www.rboironandsteel.co.in)

CIN-U74999WB2017PTC221820